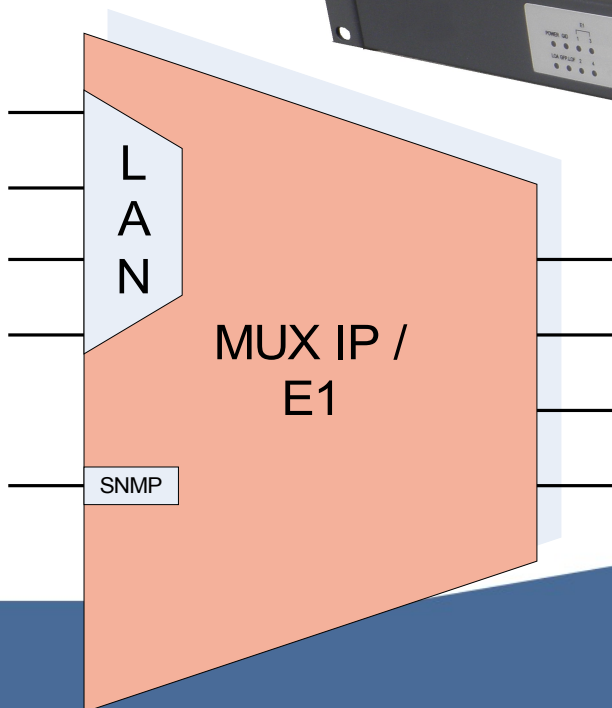


**BRIOD SA**  
*technology solutions*



## **ETH TDM MUX**

### **Flexible Ethernet over E1**

Do you have any E1 in spare between your different sites ? Eth Mux will provide and easy solution to provide Ethernet almost everywhere and a reasonable cost.

### Specification

ETH TDM multiplexer are distributed in different unit. From 4E1 port up to 16E1 can be multiplexed to provide Ethernet bandwidth between 2 and 16 Mbps.

- Dual redundant power 230V 48V
- 1U 19" rack and table version
- Lower power
- Full SNMP with visual NMS management
- MIB file to integrate with standard SNMP NMS
- Fiber link up to 70km (option)
- Local console
- 48h swap exchange from
- 2 Years warranty
- CE Rohs compliant

### E1 Line side

The line sides is composed of RJ45 standard plug with balanced 120 Ohm interface compatible with most equipment.

E1 cross cable should be used

### Ethernet side

A modular 4 ports configurable switch is included in each equipment.

### Functionality

- VLAN support as transparent or 802.1q tag
- Jumbo frame
- E1 supported delay between lines up to 220ms ITU G.823
- auto detection of Bit error rate
- auto enable / disable line on error
- the NMS allow user to make BER test from remote location
- loop in and outside
- fully remotely configurable

### Liability

The all electronic design is supervised in Montreux Switzerland.

The electronic production is located in Taiwan and mechanical assembly in Montreux.

The Firmware / Software part is engineered in Chernex and Vevey Switzerland.

Each unit is configured and tested in our laboratory in Montreux. We also have 48h exchange service from our swap.

Production per month up to 150 / Units.

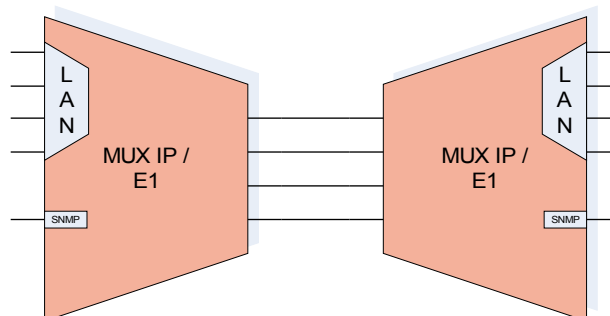
### Compliance

The unit use only UIT standard that make it compatible with other product like Cisco, Foundry network.

Ethernet over tcp :	G.7041-G.7043,G.8040
Ethernet	802.3
TDM	G.703 E1 120
Power	230V AC + DC 48V
Environment	RoHs CE
Mechanical	440x200x43mm

### Order key

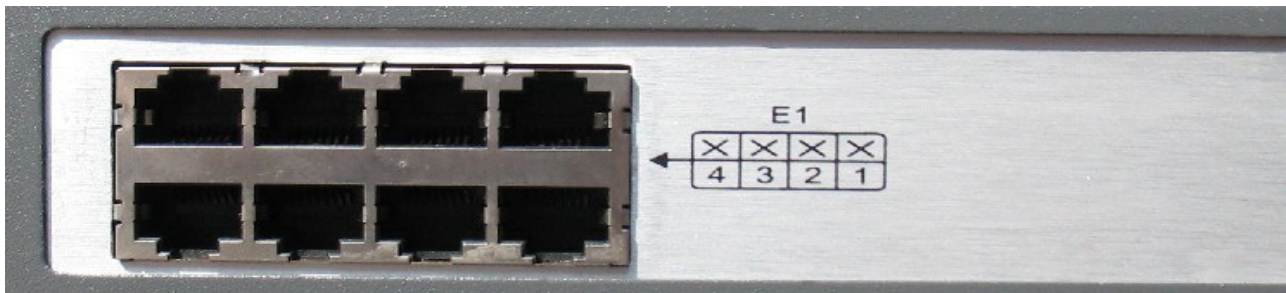
BSA-ETH-4E1	4E1 + 4ETH AC / DC
BSA-ETH-8E1	8E1 + 4ETH AC / DC



### Rear View

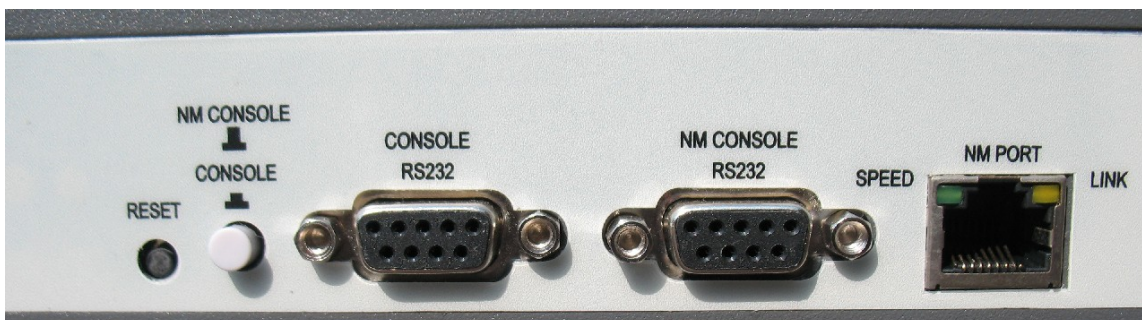


DC / AC and ground power  
On the right side the Ethernet integrated switch.



E1 120 ohm TDM Interfaces

### Front View



Front console and NMS  
Device can be configured and monitored over both serial or dedicated Ethernet port.

